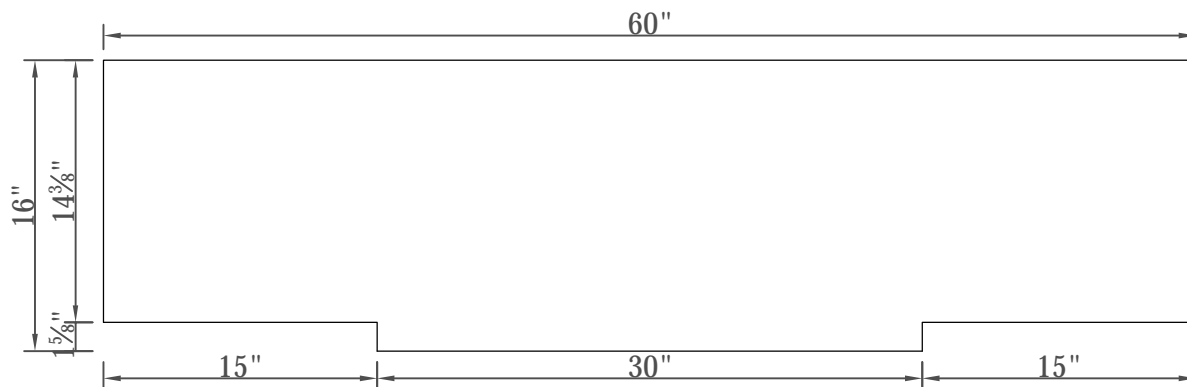
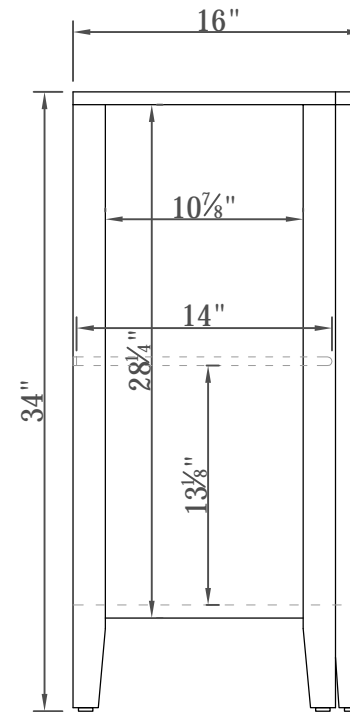


KB106



DWG. NO.

MODEL NO:
MF82001WH

SPEC NO:

QUANTITY:

DATE:

CHECKED BY:

FOR PROPOSAL ONLY ALL
DIMENSIONS TO BE VERIFIED

PROJECT:

COLOR:

FINISH:

REVISIONS

| | |
|---|--|
| ① | |
| ② | |
| ③ | |
| ④ | |
| ⑤ | |
| ⑥ | |



500-550 E. Erie Avenue
Philadelphia PA 19134
1-888-388-3390

| | | | | | | | | | |
|-------------------------------------|--|---|--------------------------|-------------------------|-----------------------|--------------------|-----------------------------|---------------------------------|-----------------------------------|
| Mdel # | Finish | Hand Painted | gloss finish | Mirror type | Beveled glass | Frame material | Solid wood construction | wood species | base material |
| MF82001WH | White | Yes | NO | Clear mirror | Yes | Solid wood and MDF | solid wood legs | Rubberwood | MDF |
| base finish | powder coated finish | Finished Back | Hardware finish | top material | Drawers Included | Number of Drawers | Joinery Type | Drawer railing | Drawer Width |
| White | NO | Yes | Crystal | MDF | NO | 0 | N/A | N/A | N/A |
| Drawer Depth | Drawer Height | Drawer Handle designs | felt lined drawers | drawer glide extension | drawer glide material | drawer dividers | Drawer Interior finish | Ball Bearing Glides | soft close drawer glides |
| N/A | N/A | N/A | N/A | N/A | N/A | N/A | N/A | N/A | N/A |
| Drawer Interior Width | Drawer Interior Depth | Drawers Interior Height | false drawers? | safety stop | Shelves ? | Number of Shelves | shelf material | adjustable shelves | shelf width |
| N/A | N/A | N/A | N/A | N/A | Yes | 3 | MDF | Yes | SHF1: 13" / SHF2: 26" / SHF3: 13" |
| shelf depth | shelf height | Shelf thickness | Doors included | Number of Doors | door thickness | Number of cabinets | cabinet interior width | cabinet interior depth | cabinet interior height |
| SHF1: 14" / SHF2: 14" / SHF3: 14" | SHF1: 13-1/8" / SHF2: 13-1/8" / SHF3: 13-1/8" | 1/2" | Yes | 4 | 7/8" | 3 | 13" / 26" / 13" | 10-7/8" / 10-7/8" / 10-7/8" | 26-1/2" / 26-1/2" / 26-1/2" |
| table top width | table top finish | glass top tempered | table top maximum weight | Table: seating capacity | upholstery color | upholstery pattern | cushion material | maximum weight capacity of seat | shape of top |
| 16" | White | NO | 66LBS | 1 | N/A | N/A | N/A | N/A | Rectangle |
| leg width | leg depth | leg height | leg design | Armoires: ring slots | Armoires: hooks | Armoires: lift top | Armoires: mirror dimensions | stackable | tip over restraint strap |
| 1-3/4" | 1-3/4" | 5-1/8" | Straight legs | N/A | N/A | N/A | N/A | NO | YES |
| "Any certification? (CARB/TSCA VI)" | "Furniture/Vanity: California Proposition 65 warning required" | "Furniture/Vanity: prop 65 chemical name" | Assembly required? | Shipping Type | Product Width (in) | Product Depth (in) | Product Height (in) | Product Weight (lbs) | Package 1 LENGTH |
| Yes | Yes | Cadmium | No | LTL | 60" | 16" | 34" | 126.72 | 64.125 |
| Packaged 1 WIDTH | Packaged 1 HEIGHT | Package 1 Weight (lbs) | | | | | | | |
| 20.5 | 39.5 | 166.32 | | | | | | | |

DWG. NO.

MODEL NO:
MF82001WH

SPEC NO:

QUANTITY:

DATE:

CHECKED BY:

FOR PROPOSAL ONLY ALL DIMENSIONS TO BE VERIFIED

PROJECT:

COLOR:

FINISH:

REVISIONS

①

②

③

④

⑤

⑥

 ELEGANT
FURNITURE & LIGHTING™

500-550 E. Erie Avenue

Philadelphia PA 19134

1-888-388-3390